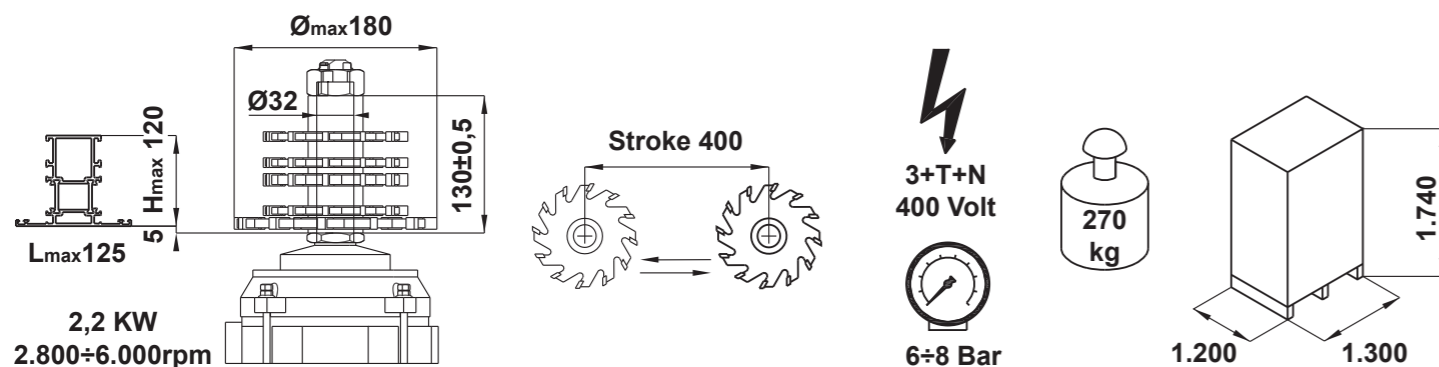
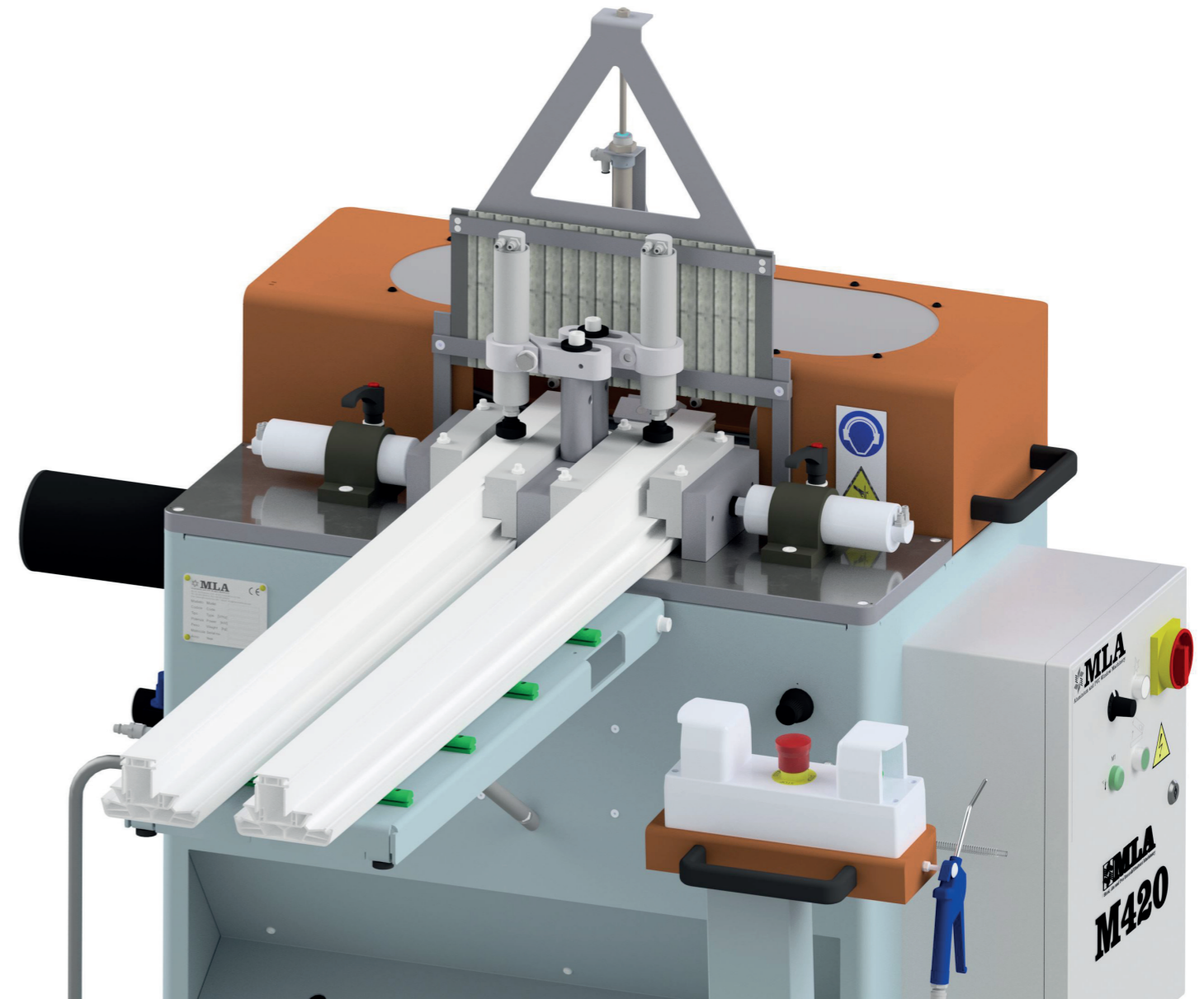
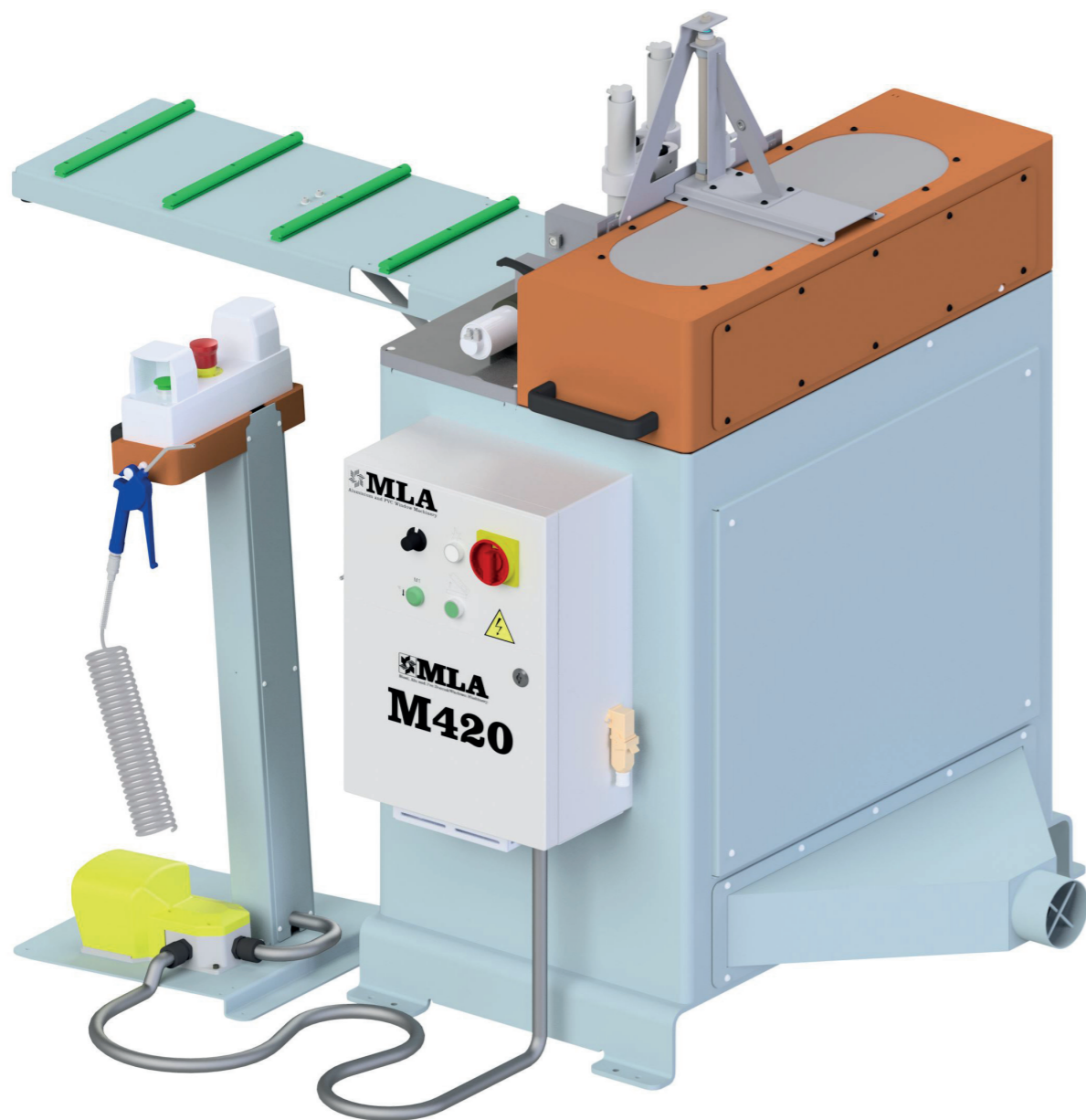


M420 is equipped with a device that generates an activation signal for any external aspirator for the entire duration of the work cycle and the following eight seconds. A large collector for chip aspiration and collection is placed at the base of the machine.

Semiautomatic end-milling machine for aluminium and pvc profiles



The Company reserves the right to amend and improve its products without notice.

The end-milling machine M420 is conceived for a simultaneous milling of two profiles up to 125mm in width at a 90° angle.

The profiles are blocked by two vertical clamp cylinders and two opposing horizontal clamps, operating at low/high pressure.

M420 guarantees better milling quality, increased forwarding speed and noise reduction thanks to:

- vibration-free movement on recirculating balls linear guides/sliding shoes;
- inverter driven motor (2,2kw) reaching up to 6000rpm;
- milling unit feed by an oil-pneumatic cylinder.

A special feature of M420 is represented by the **detached control station**, equipped with all main functions: blocking foot pedal switch, bimanual start buttons and emergency stop button.

The control station can be easily moved around the profile loading and unloading area.

Functioning

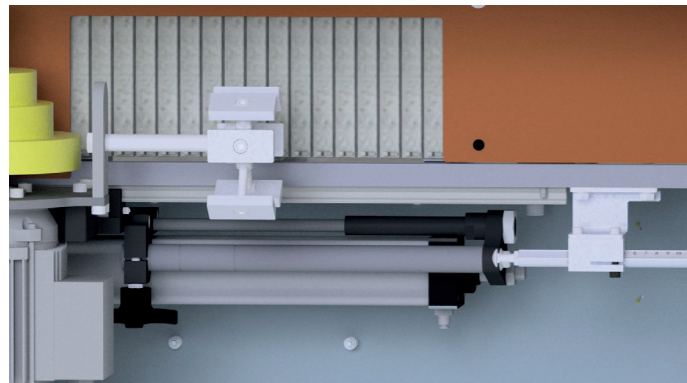
By pushing the foot pedal switch at the base of the control station, the low pressure clamping is activated and the strips of the mobile protection are lowered.

By pushing simultaneously the buttons on the control station (EN-574-3A certified bimanual control device), the clamping becomes high pressure; the motor reaches the rotation speed previously set on the inverter; the milling starts and continues until the milling unit presses the limit micro-switch.

The motor keeps on rotating and begins its return stroke, during which the *finishing milling* is realised.

A sensor detects when the motor is back to rest position. At this point, the motor stops within a few seconds, then, automatically, the clamps open and the mobile strips are raised.

It is possible to accomplish the (pneumatic) **rapid change** of the mills group by pushing the unblock button and by opening the protection cover (only when the motor is still and in rest position).

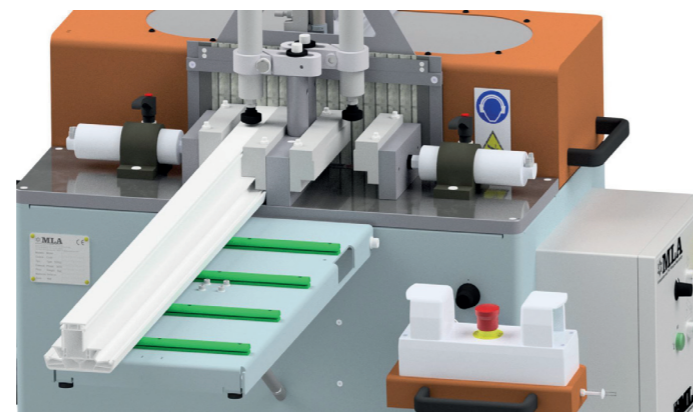


With **M420** it is possible to adjust both the milling starting point (by positioning the motor near the profile) and the milling end point (by regulating the limit micro-switch).

Thanks to a both lengthwise and vertically adjustable revolver with 6 stops, the profile milling depth can be regulated correctly.

The protection strips move vertically and give access to the profile in the work area. Made of 5mm thick polycarbonate, they guarantee the operator's safety by shielding him from possible splintering tool and material, in compliance with the safety rules.

The viewing window on top of the cover is made of scratch-resistant polycarbonate and ensures a perfect view of the working area throughout the years.



The inverter on the machine is certified with safety class of motor stop SS1-STO.

The nickel-clad, ground and polished working surface guarantees ultimate smoothness and scratch-resistance.

The "T" nuts on the clamps act as a guide and vertical stop for the counter shapes, which can be inserted and replaced in few seconds.

The wide foldaway support enables to place both profiles correctly.

The machine can be equipped with an optional kit composed of micro mist-sprayer and 5lt tank for aluminium profiles working.



CE

Code 101421