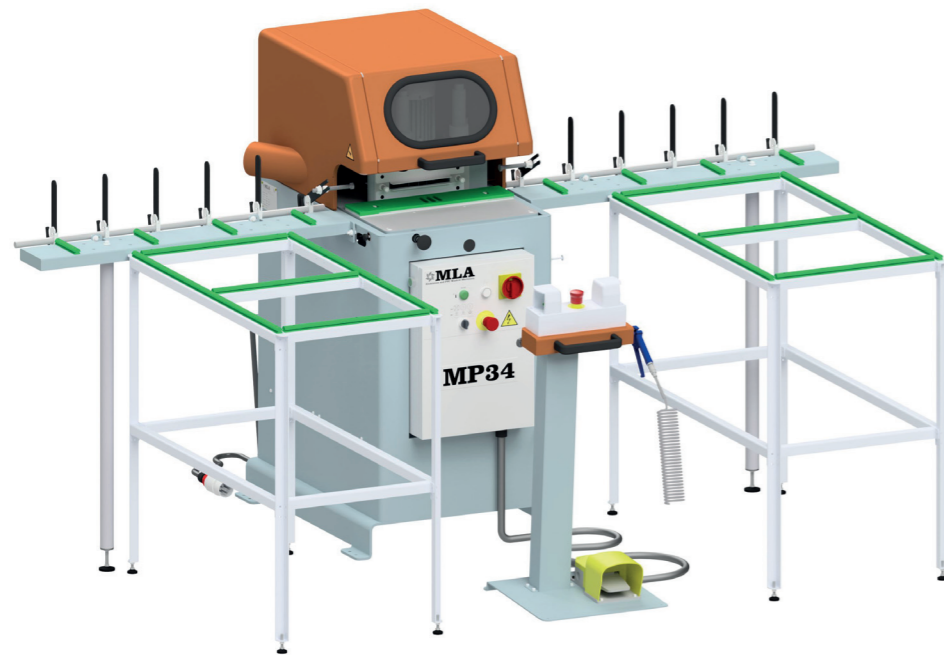




MP34S + lateral supports l=2m with 6+6 stops on millimetre rod code 502549



MP34

+ lateral supports l=1m with 6+6 stops on millimetre rod code 502491

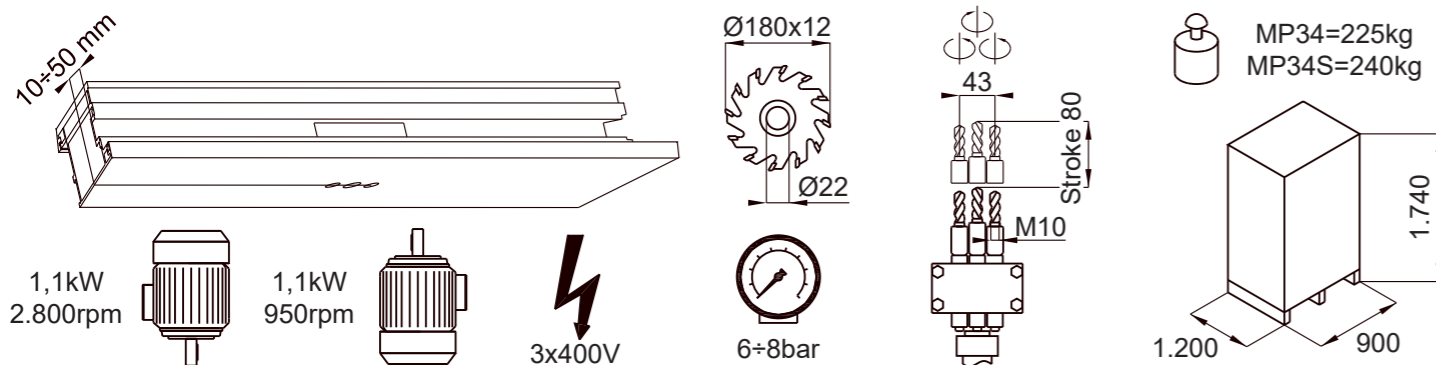
+ supports for welded window code 502594

+ control desk to activate the machining on welded window code 502595

Semiautomatic milling drilling machine for pvc profiles



MP34S + 502491



The Company reserves the right to amend and improve its products without notice.

MP34 is conceived to carry out the slot and the triple drilling for the window handle insertion on aluminium and pvc profiles with steel stiffener (drilling only).

The comfortable front opening enables an easy positioning of the profile, which is visible through the scratch-resistant polycarbonate window: this solution allows the operator to check the working operation in full safety.

On MP34 it is possible to use both symmetric centring device and profile lateral supports at the same time.

MP34 code 105342

MP34S code 105342S = MP34 + symmetric centring device code 502548

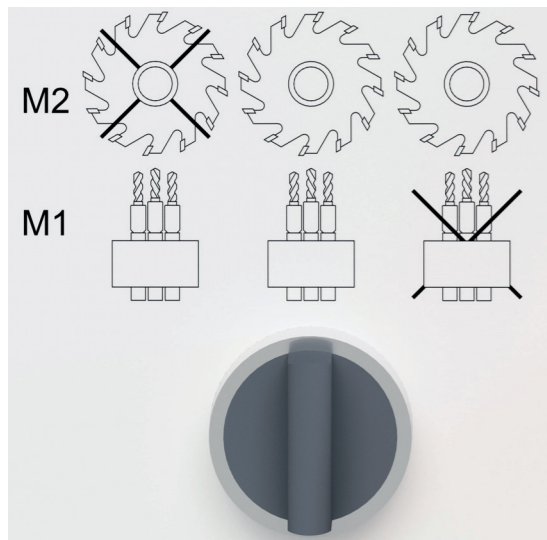
Optional for both:

+ (2+2) stops on millimetre rod code 502588

+ (6+6) stops on millimetre rod code 502589

+ lateral supports l=1m with 6+6 stops on millimetre rod code 502491

+ lateral supports l=2m with 6+6 stops on millimetre rod code 502549



Functioning

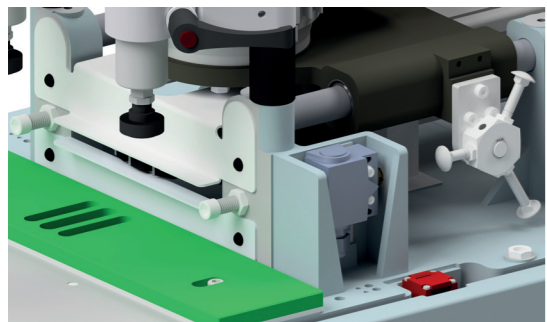
The profile clamping takes place by pressing the pedal activating the short stroke clamp cylinders.

The working cycle is set in motion by pushing the buttons on the right and left side of the electric board simultaneously (certified bimaneuvral device EN574-3A).

At the end of the working cycle, the profile is unclamped automatically.

It is possible to select the complete working cycle or the milling or drilling cycle only.

Each motor is equipped with a thermic feeler that stops the feeding in case of overheating, protecting the integrity of the motor itself.

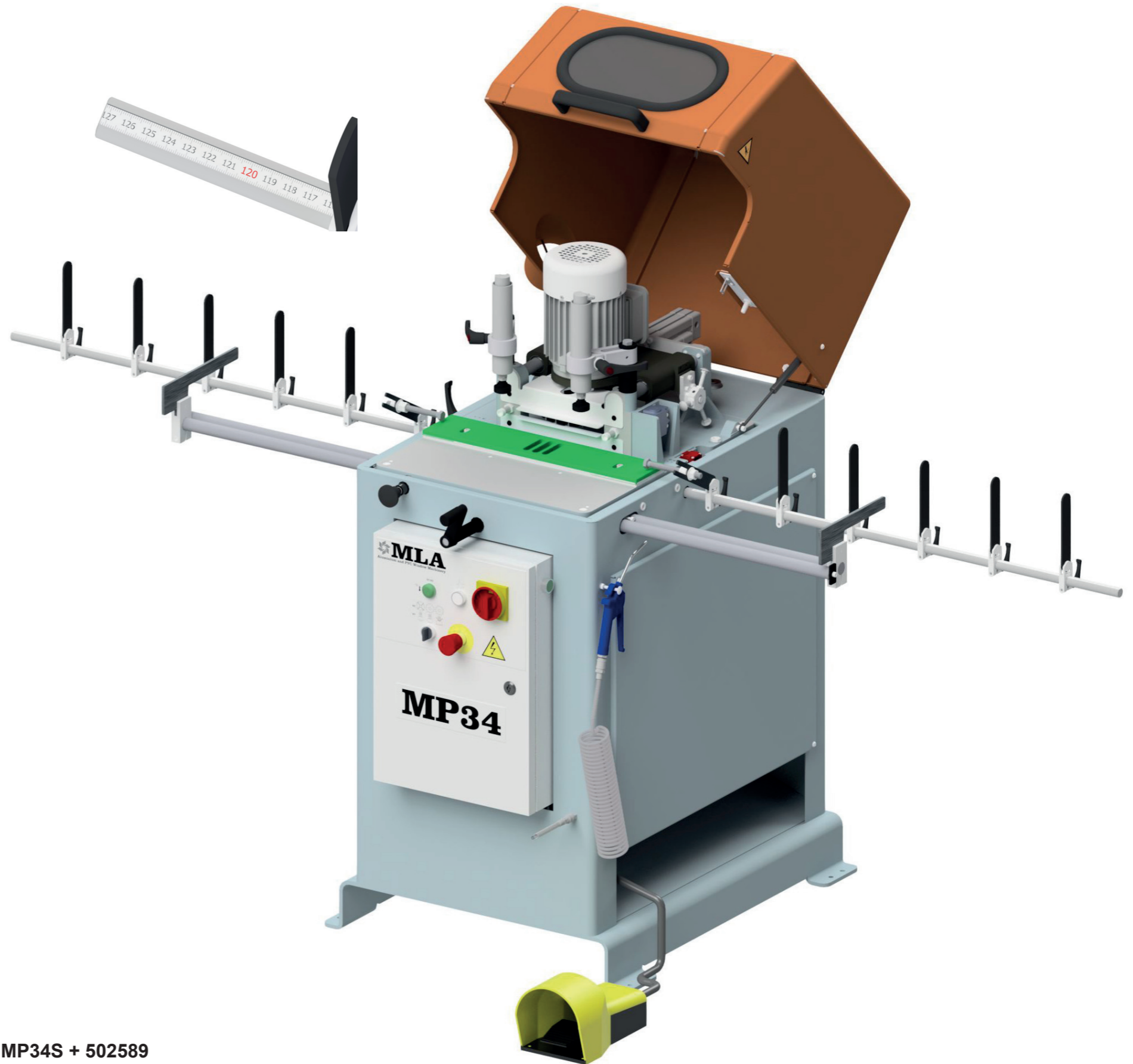


The milling depth can be selected by using 6 stops displayed as a star on the revolver.

The horizontal milling motor is equipped with servo brakes that guarantee the tool immediate stoppage.



The drilling unit is equipped with an oil-pneumatic drive. The drilling position (y) is adjustable from 10 to 60mm: the positioning lever is provided with a millimetre scale and a "foldaway" adjustment system with 11 (10-15-...-55-60mm) default positions.



MP34S + 502589